

LED Chip 5W Highpower kaltweiß

Features:

1. High Flux
2. Low Voltage DC operated
3. More Energy efficient
4. Long life solid state reliability
5. General application for indication, illumination, lighting etc.

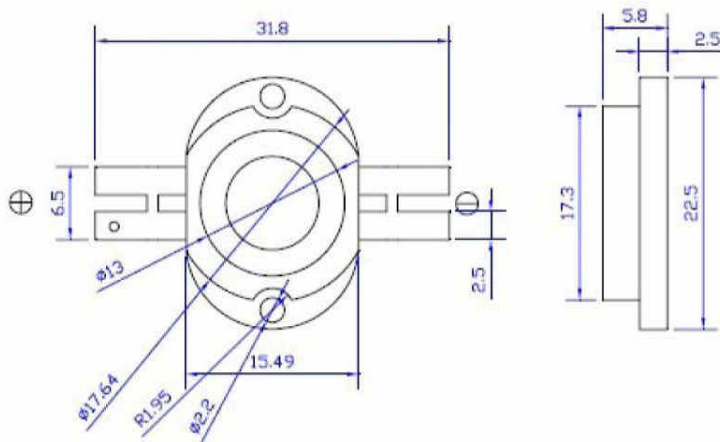
Products List

Part Number	color	Lens color	Peak Wavelength	Vf(V) Typ	Iv(mcd)		Viewing Angle 2 θ 1/2	Testing Condition (mA)
					Min	Typ		
77850000	Ultra White	Hemisphere	6000K	6.5	240	320	120°	700

Absolute Maximum Ratings at Ta=25°C

Parameter	Symbol	Rating	Unit
Forward Current	I _F	700	mA
Power Dissipation	P _d	5	mW
Peak Forward Current (Duty 1/10 @1KHZ)	I _{PF}	1000	mA
Led Junction Temperature	T _J	120	°C
Operation Temperature	T _{OPR}	-25 to +80	°C
Storage Temperature	T _{STG}	-40 to +100	°C
Soldering Temperature	260deg for 5 seconds max		

Package configuration:



1. All dimensions are millimeters (inches)
2. Tolerance is $\pm 0.25\text{mm}$ (.010") unless otherwise noted.